



baumatic australia collection

ovens : upright cookers : cooktops : rangehoods : canopies : dishwashers : microwaves : fridges : coffee machines

Baumatic has become a major international appliance brand sold in over 35 countries around the world.

Baumatic has established itself as a leading company in the design and manufacture of kitchen appliances, with an emphasis on bringing to market the latest technology in home appliances focusing on style, functionality, and most importantly offering value for money.

The Australian range of Baumatic kitchen appliances is comprehensive and includes ovens, upright cookers, cooktops, rangehoods, canopies, dishwashers, microwaves, fridges and coffee machines.

standard baumatic features



Mark Free Stainless Steel

The stainless steel lustre is protected against fingerprints by a clear specialist finish. Simply wipe with a damp cloth to restore the original quality appearance.



Cavity Cooling and Cool Door System

An inbuilt cooling fan circulates air around the oven and through the door to maintain safe surface temperatures and protect cabinets from heat damage.



Triple Glazed Full Inner Glass Door

Three layers of glass in the oven door maintain the internal temperature more efficiently while keeping the external door temperature safe to touch. All hinges are easily locked to enable quick removal of the door for cleaning. Most ovens now come with a full width inner door glass, making cleaning easier.



LED 24hr Program Timer

A quartz electric clock with digital display not only tells the time but also operates as a timer while cooking or can be fully programmed to turn the oven on and off to have your meal ready any time of the day.



Flame Failure Safety System

For total peace of mind, Baumatic gas cooktops come equipped with a flame failure safety system. Should the flame go out for any reason, the gas is shut off at the burner.



Wipe Clean Enamel Interior

The low porosity oven enamel helps prevent cooking residuals from becoming ingrained and is easy to wipe clean after use.



High Powered Wok Burner

All Baumatic gas cooktops feature the new 16 MJ high powered triple flame wok burner. For total control, this new wok burner is dual controlled for the finest simmer to the most powerful flame.



One Piece Cooktop Surface

Pressed from a single sheet of stainless steel, the Baumatic cooktop has no joins making it easy to clean after cooking.



3 Year Warranty Customer Care

Baumatic is supported by our professional service network, Australia wide. Contact our customer care department on freecall 1800 444 357 and we guarantee a 24 hour turn around for service arrangements to be made.



BAO6001

60 cm Fan forced oven

4 Functions
 Mark free stainless steel
 Wipe clean enamel interior
 LED temperature display
 LED 24hr program timer
 Removable roof guard
 Easy glide door hinges
 Fully sealed oven
 Triple glazed door with full inner door glass
 One piece seamless oven liner
 Moulded side oven racks
 Cavity cooling system

BAO6002W

60 cm Fan forced oven

4 Functions
 Optical white glass finish
 Wipe clean enamel interior
 LED temperature display
 LED 24hr program timer
 Removable roof guard
 Easy glide door hinges
 Fully sealed oven
 Triple glazed door with full inner door glass
 One piece seamless oven liner
 Moulded side oven racks
 Cavity cooling system

BAO6003

60 cm Multifunction oven

7 Functions
 Mark free stainless steel
 Wipe clean enamel interior
 LED temperature display
 LED 24hr program timer
 Removable roof guard
 Easy glide door hinges
 Fully sealed oven
 Triple glazed door with full inner door glass
 One piece seamless oven liner
 Moulded side oven racks
 Cavity cooling system

BAO6004W

60 cm Multifunction Oven

7 Functions
 Optical white glass finish
 Wipe clean enamel interior
 LED temperature display
 LED 24hr program timer
 Removable roof guard
 Easy glide door hinges
 Fully sealed oven
 Triple glazed door with full inner door glass
 One piece seamless oven liner
 Moulded side oven racks
 Cavity cooling system



BAO6005

60 cm Multifunction oven

- 9 Functions
- Mark free stainless steel
- Wipe clean enamel interior
- LED temperature display
- LED 24hr program timer
- LED function display
- Auto temperature display
- Retractable control knob
- Removable roof guard
- Easy glide door hinges
- Fully sealed oven
- Triple glazed door with full inner door glass
- One piece seamless oven liner
- Chromed steel oven racks
- Cavity cooling system

BAO6009

60 cm Multifunction self cleaning pyrolytic oven

- 9 Functions
- Mark free stainless steel
- Pyrolytic auto clean system
- Superior quality enamel interior
- LED temperature display
- LED 24hr program timer
- Quadruple glazed door
- Safety door locking mechanism for pyrolytic cleaning
- Easy glide door hinges
- One piece seamless oven liner
- Fully sealed oven
- Moulded side oven racks
- Cavity cooling system

BAO6007

60 cm Multifunction side-opening oven

- 10 Functions
- Mark free stainless steel
- Left or Right side opening oven door
- Wipe clean enamel interior
- LED temperature display
- LED 24hr program timer
- Triple glazed door with full inner door glass
- Child lock
- Removable roof guard
- Express cook / pre heat function
- Fully sealed oven
- One piece seamless oven liner
- Chromed steel oven racks

BAO6011

60 cm Multifunction side-opening oven

- 9 Functions
- Mark free stainless steel
- Giant 75 litre oven capacity
- Left or Right side opening oven door
- Wipe clean enamel interior
- Retractable control knobs
- LED 24hr program timer
- Removable roof guard
- Fully sealed oven
- Triple glazed door with full inner glass
- One piece seamless oven liner
- Chromed steel oven racks
- Cavity cooling system



BAO7006

70 cm Multifunction oven

- 9 Functions
- Mark free stainless steel finish
- Wipe clean enamel interior
- LED 24hr program timer
- Easy glide door hinges
- Removable roof guard
- Fully sealed oven
- Triple glazed door with full inner door glass
- One piece seamless oven liner
- Chromed steel oven racks
- Cavity cooling system
- Rotisserie
- Removable roof liner



BAO9010

90 cm Multifunction oven

- 9 Functions
- Mark free stainless steel finish
- Wipe clean enamel interior
- LED 24hr program timer
- Easy glide door hinges
- Double glazed removable oven door
- One piece seamless oven liner
- Cavity cooling system
- Chromed steel oven racks
- Rotisserie



BAO6008

60 cm Double Oven

- 7 Functions Main oven
- 4 Functions Second oven
- Mark free stainless steel
- Wipe clean enamel interior
- Retractable control knobs
- LED 24hr program timer
- Removable roof guard in main oven
- Easy glide door hinges
- Fully sealed oven
- Triple glazed door with full inner door glass
- Cavity cooling system



BAF9006.2

90 cm Dual Fuel Cooking Theatre

- 5 burner gas hob
- Triple flame wok burner
- Automatic under knob ignition
- Flame failure safety device
- Heavy duty cast iron trivets
- One piece easy clean surface
- Stainless steel framed, Triple glazed door
- Full inner door glass
- LED 24hr program timer
- Rotisserie
- Large usable oven capacity



BAF9007.2

90 cm Dual Fuel Twin Cavity Cooking Theatre

- 5 burner gas hob
- Triple flame wok burner
- Automatic under knob ignition
- Flame failure safety device
- Heavy duty cast iron trivets
- One piece easy clean surface
- Stainless steel framed, Triple glazed door
- Full inner door glass
- LED 24hr program timer
- Rotisserie
- Large usable oven capacity



BAF9008.2

90 cm All Electric Cooking Theatre

- 5 zone electric ceran cooktop
- Residual heat indicators
- Stainless steel framed, Triple glazed door
- Full inner door glass
- LED 24hr program timer
- Rotisserie
- Large usable oven capacity



BAF6001

60 cm Dual Fuel Cooking Theatre

- 4 burner gas hob
- Triple flame wok burner
- Automatic under knob ignition
- Flame failure safety device
- Heavy duty cast iron trivets
- One piece easy clean surface
- Stainless steel framed, Triple glazed door
- Full inner door glass
- Wipe clean enamel interior
- LED 24hr program timer
- Rotisserie
- Telescopic oven safety shelves
- Storage drawer
- Large usable oven capacity



BAF7002

70 cm Dual Fuel Cooking Theatre

- 5 burner gas hob
- Triple flame wok burner
- Automatic under knob ignition
- Flame failure safety device
- Heavy duty cast iron trivets
- One piece easy clean surface
- Stainless steel framed, Triple glazed door
- Full inner door glass
- Wipe clean enamel interior
- LED 24hr program timer
- Rotisserie
- Telescopic oven safety shelves
- Storage drawer
- Large usable oven capacity



BAF9003

90 cm Dual Fuel Cooking Theatre

- 5 burner gas hob
- Triple flame wok burner
- Automatic under knob ignition
- Flame failure safety device
- Heavy duty cast iron trivets
- One piece easy clean surface
- Stainless steel framed, Triple glazed door
- Full inner door glass
- Wipe clean enamel interior
- LED 24hr program timer
- Rotisserie
- Telescopic oven safety shelves
- Storage drawer
- Large usable oven capacity



BACG3034

30 cm Two Burner Gas Cooktop

New unique design
Stainless steel
Flame failure safety device
Cast iron trivets with rubber feet
Automatic under knob
electronic ignition
High quality alloy burner system
Convenient front controls
One piece easy wipe surface with
spill catchment area
Optional joining strip available - PJS



BACG3035

30 cm Wok Burner Cooktop

New unique design
Stainless steel
16 MJ high powered
triple flame wok burner
Dual controlled wok burner for
fine simmer or maximum power
Flame failure safety device
Cast iron trivets with rubber feet
Automatic under knob electronic ignition
High quality alloy burner system
Convenient front controls
One piece easy wipe surface with spill catchment area
Optional joining strip available - PJS



BA62SS

60 cm Four Burner Gas Cooktop

New unique design
Stainless steel
16 MJ high powered triple flame wok
burner
Dual controlled wok burner for fine simmer
or maximum power
Flame failure safety device
Cast iron trivets with rubber feet
Automatic under knob electronic ignition
High quality alloy burner system
Convenient front controls
One piece easy wipe surface with spill
catchment area



BA72SS

70 cm Five Burner Gas Cooktop

- New unique design
- Stainless steel
- 16 MJ high powered triple flame wok burner
- Dual controlled wok burner for fine simmer or maximum power
- Flame failure safety device
- Cast iron trivets with rubber feet
- Automatic under knob electronic ignition
- High quality alloy burner system
- Convenient front controls
- One piece easy wipe surface with spill catchment area

BA75FSS

75 cm Flushline Five Burner Gas Cooktop

- Flush line design
- Stainless steel
- 16 MJ high powered triple flame wok burner
- Dual controlled wok burner for fine simmer or maximum power
- Flame failure safety device
- Cast iron trivets with rubber feet
- Automatic under knob electronic ignition
- High quality alloy burner system
- Convenient front controls
- One piece easy wipe surface with spill catchment area

BA92SS

90 cm Five Burner Gas Cooktop

- New unique design
- Stainless steel
- 16 MJ high powered triple flame wok burner
- Dual controlled wok burner for fine simmer or maximum power
- Flame failure safety device
- Cast iron trivets with rubber feet
- Automatic under knob electronic ignition
- High quality alloy burner system
- Convenient front controls
- One piece easy wipe surface with spill catchment area



BACE3036

30 cm Two Burner Ceramic Domino cooktop

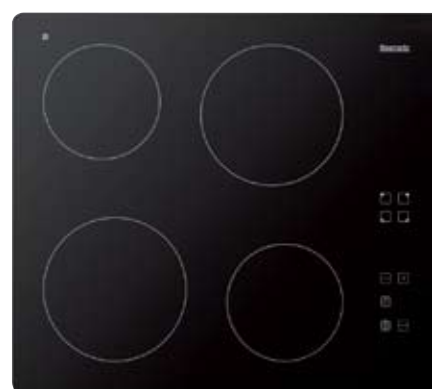
- Two hyper speed zones
- Stainless steel wrap around designer frame
- Tough ceran glass surface
- Convenient front controls



BA10

60 cm Ceramic Electric Cooktop

- Four radiant zones
- Frameless design
- Tough ceran glass surface
- Residual heat indicators
- Side control operation



BA13.2

60 cm Ceramic Electric Cooktop

- Four radiant zones
- Frameless design
- Tough ceran glass surface
- Child safety lock
- Residual heat indicators
- Pre-heat function
- Electronic 99 minute timer
- Side touch control operation



BA15.2SS

60 cm Ceramic Electric Cooktop

- Four hyper speed zones including dual zone
- Stainless steel designer wrap around frame
- Tough ceran glass surface
- Child safety lock
- Residual heat indicators
- Pre-heat function
- Electronic 99 minute timer
- Side touch control operation



BA16.2SS

77 cm Ceramic Electric Cooktop

- Four hyper speed zones including dual zone & one extended zone
- Stainless steel designer wrap around frame
- Tough ceran glass surface
- Child safety lock
- Residual heat indicators
- Pre-heat function
- Electronic 99 minute timer
- Convenient front touch control operation



BACE9001

90 cm Ceramic Electric Cooktop

- Four hyper speed zones including two dual zones
- Stainless steel designer wrap around frame
- Unique inline zone design
- Tough ceran glass surface
- Child safety lock
- Residual heat indicators
- Pre-heat function
- Electronic 99 minute timer
- Convenient front touch control operation



BA24.3 Induction

60 cm Induction Electric Cooktop

- Four induction cooking zones, with booster feature on large cooking zone
- Four independent induction generators
- Frameless design
- Tough, ceran glass surface
- Auto pan detection
- Child safety lock
- Residual heat indicators
- Electronic 99 minute timer
- Front touch control operation & electronic timer
- 7 kW maximum power



BASR60SS-W

60 cm Slideout Rangehood

Stainless steel front rail with black underside or all white finish
Single centrifugal motor
300 m³ / h drawing capacity
Front & rear washable metallic framed filters
Three speed controls
Twin incandescent lighting

BAS36SS

60 cm Slideout Rangehood

Stainless steel front rail and stainless steel underside
Single tangential motor
500 m³ / h drawing capacity
Front & rear washable metallic framed filters
Three speed control with protective slide cover
Twin incandescent lighting

BAS39SS

90 cm Slideout Rangehood

Stainless steel front rail and stainless steel underside
Single tangential motor
500 m³ / h drawing capacity
Front & rear washable metallic framed filters
Three speed control with protective slide cover
Twin incandescent lighting

BAH7506

75cm Undermount Rangehood

Stainless steel finish
Single tangential motor
750 m³ / h drawing capacity
Three metallic grease filters
Three speed controls
Twin incandescent lighting
Neatly concealed under cabinetry



BAH6004

60 cm Canopy

- Streamlined new design
- Stainless steel finish
- Single tangential motor
- 750 m³ / h drawing capacity
- Stainless steel high velocity filtration
- Six speed electronic controls including booster option
- Quick speed feature
- Large LED display
- Service warning indicator
- Twin halogen lighting
- Automatic shut off timer



BAH9005

90 cm Canopy

- Streamlined new design
- Stainless steel finish
- Single tangential motor
- 750 m³ / h drawing capacity
- Stainless steel high velocity filtration
- Six speed electronic controls including booster option
- Quick speed feature
- Large LED display
- Service warning indicator
- Twin halogen lighting
- Automatic shut off timer



BABT83.2AL

90 cm Designer Canopy

- Aluminum, stainless steel & glass finish
- Curved glass design
- Single tangential motor
- 1000 m³ / h drawing capacity
- Stainless steel high velocity filtration
- Six speed electronic controls including booster option
- Twin halogen lighting
- Automatic shut off timer



BAH9001

90 cm Stainless Steel Canopy

- Stainless steel finish
- Single tangential motor
- 1000 m³ / h drawing capacity
- Perimeter extraction for optimum performance
- Six speed electronic controls including booster option
- Quick speed function
- Large LED display
- One metallic grease filter
- Filter cleaning indicator
- Twin halogen lighting
- Automatic shut off timer



BAH9002G

90cm Glass Canopy

- Stainless steel & glass finish
- Single tangential motor
- 1000 m³ / h drawing capacity
- Perimeter extraction for optimum performance
- Six speed electronic controls including booster option
- Quick speed option
- Large LED display
- One metallic grease filter
- Filter cleaning indicator
- Twin halogen lighting
- Automatic shut off timer



BAH9003G

90 cm Island Glass Canopy

- Stainless steel & glass finish
- Single tangential motor
- 1000 m³ / h drawing capacity
- Stainless steel high velocity filters
- Six speed electronic controls including booster option
- Quick speed feature
- Large LED display
- Two metallic grease filter
- Filter cleaning indicator
- Twin halogen lighting
- Automatic shut off timer



BAD6002

60 cm Freestanding Dishwasher

- Mark free stainless steel door
- Twelve place settings
- Seven wash programs
- Four wash temperatures
- 15.5 litres on normal wash
- Concealed control panel
- LED function & time display on front door panel
- Half load function
- Delay timer
- Concealed heating element
- Convection dry
- Self cleaning stainless steel micro filter
- Anti leak & anti flood water safety device
- Pex durable hoses



BAD6003

60 cm Full integrated Dishwasher

- Integrate to match cabinetry
- Twelve place settings
- Turbo condenser drying
- Seven wash programs
- Four wash temperatures
- 15.8 litres on normal wash
- Concealed control panel
- Half load function
- Delay timer
- Concealed heating element
- Anti leak & anti flood water safety device
- Self cleaning stainless steel micro filter
- Pex durable hoses



BAD6001

60 cm Freestanding Dishwasher

- Mark free stainless steel door
- Mark free stainless steel bench top
- Twelve place settings
- Turbo condenser drying
- Seven wash programs
- Four wash temperatures
- 15.5 litres on normal wash
- Integrated control panel
- LED function & time display on front door panel
- Half load function
- Delay timer
- Concealed heating element
- Anti leak & anti flood
- Self cleaning stainless steel micro filter
- Pex durable hoses



BAEC2SS

Espresso coffee machine

Mark free stainless steel
Choice of one or two cup filters
Suitable for pods or ground coffee
Coffee regulation- extra strong/normal/weak
Steam spout for cappuccino & hot chocolate
Hot water spout for tea
Pull out drawer
Coffee pump pressure = 15 bar
Steam pump pressure = 2.5 bar
Removable 2 litre water tank
Empty tank warning light
Safety stop operation on pumps
Suitable for Plumbing in
OPTIONAL PLUMBKIT: BAPK001



BAR57401

574 litre frost free top mount fridge

Energy usage: 506 kWh/yr
Efficient DC motor system delivering
4.5 star energy rating
Twin fan system (refrigerator & freezer)
Multi rear & side air flow system
Spill safe tempered glass shelves
Zero deg meat & dairy storage compartment
Humidity controlled jumbo crisper
Removable crisper partition
Crisper stability rollers
Triple twist ice maker with tray
Fridge interior light
Freezer interior light
UV-LED with platinum beam deodoriser
Real stainless steel doors – mark free
Tropically rated



BATM25SS

25 litre convection microwave

Microwave power: 850W
Grill power: 2000W
Stainless steel interior & exterior
Automatic cooking programs
Soft-touch control pad
Convection crisp grill feature
Crisp grill microwave combination cooking
Speed defrost
Oven capacity: 25 litres
TRIMKIT – BTM25KIT

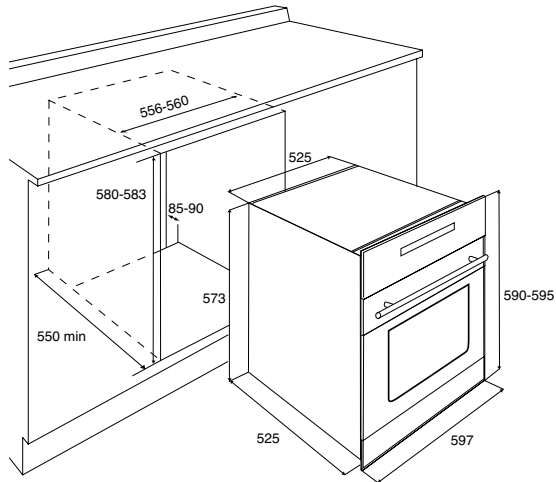


BAM2801

28 litre microwave with dual grill

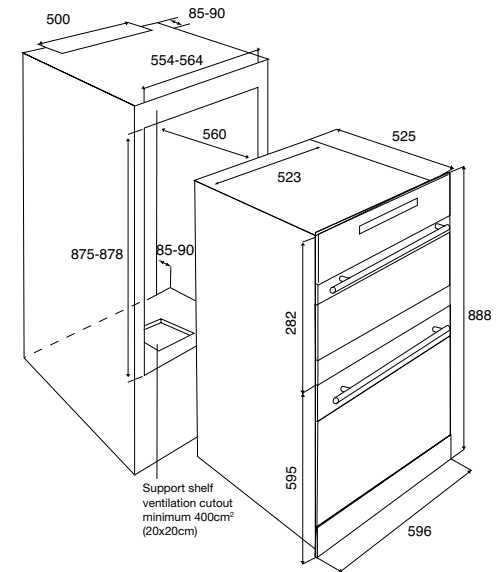
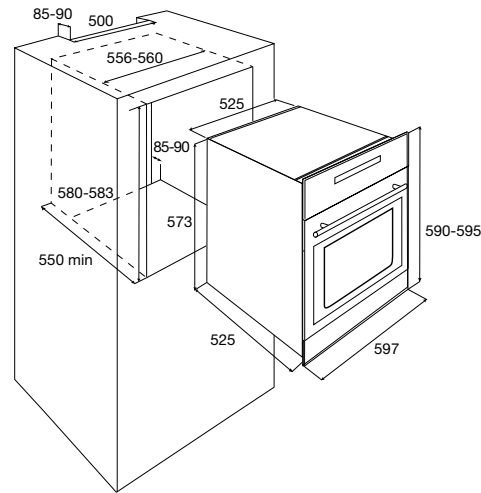
Microwave power: 900W
Dual grill power: 1300W
Stainless steel interior & exterior
Automatic cooking programs
Soft-touch control pad
Top & bottom crisp grill
Rotisserie
Crisp grill microwave combination cooking
Speed defrost
Oven capacity: 28 litres
TRIMKIT – BATK2801

UNDER BENCH INSTALLATION

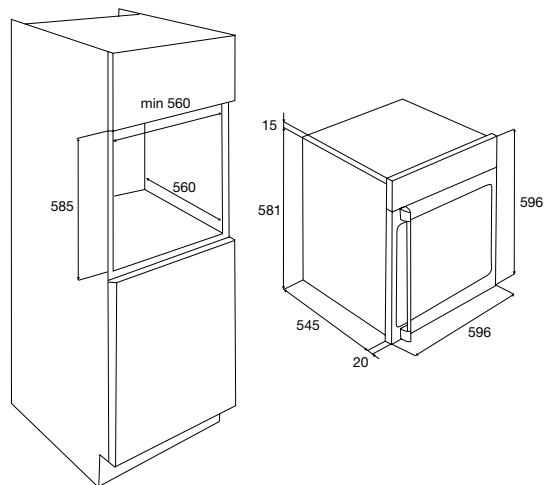


BAO6001, BAO6002W, BAO6003, BAO6004, BAO6005, BA6007 and BAO6009

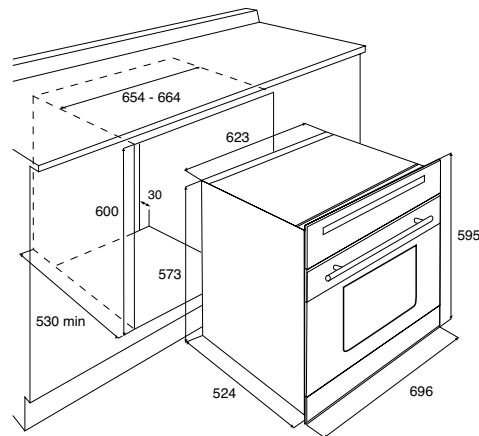
WALL MOUNTED INSTALLATION



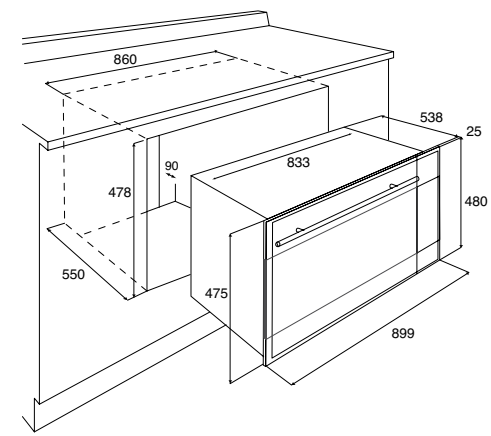
BAO6008



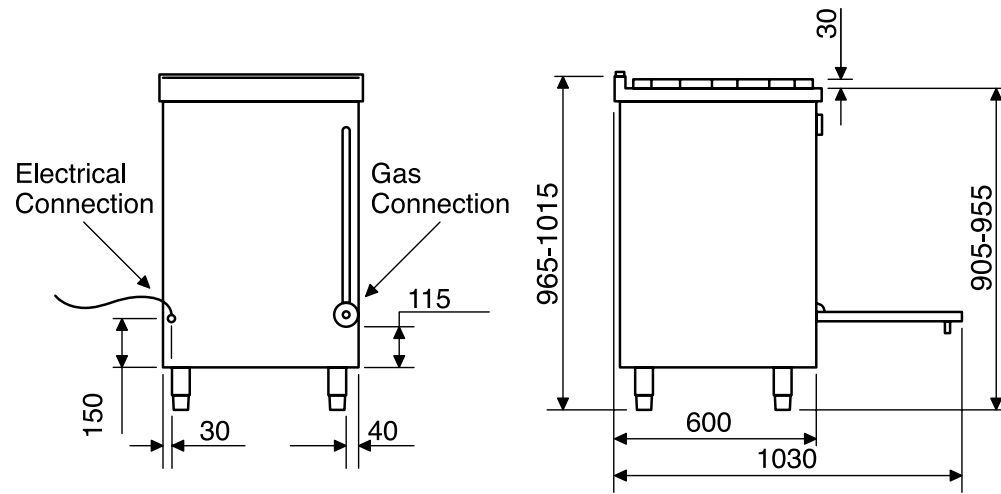
BAO6011



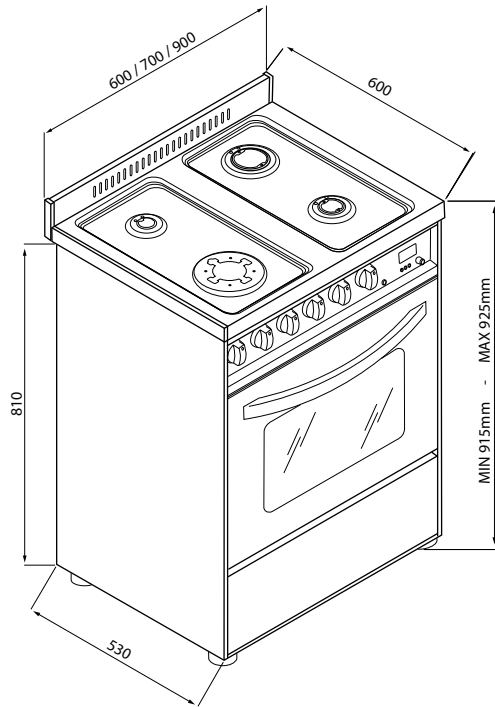
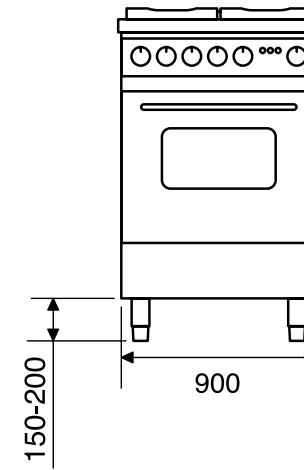
BAO7006



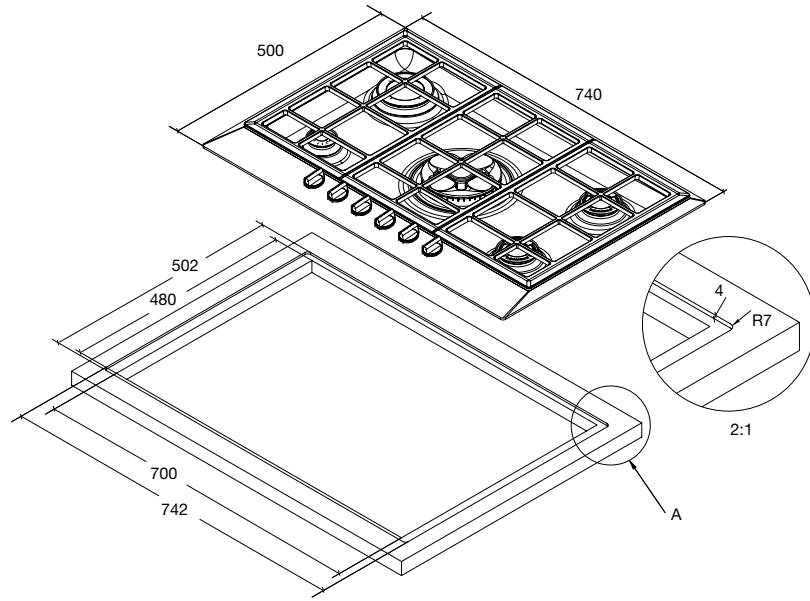
BAO9010



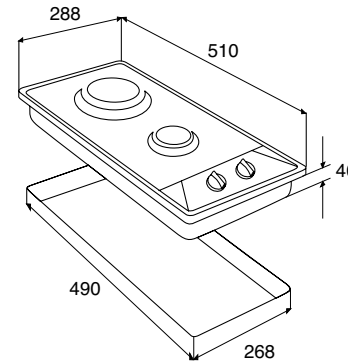
BAF9006.2 BAF9007.2 BAF9008.2



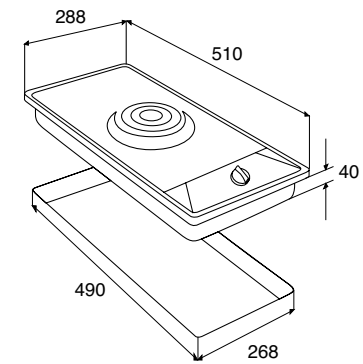
BAF6001
BAF7002
BAF9003



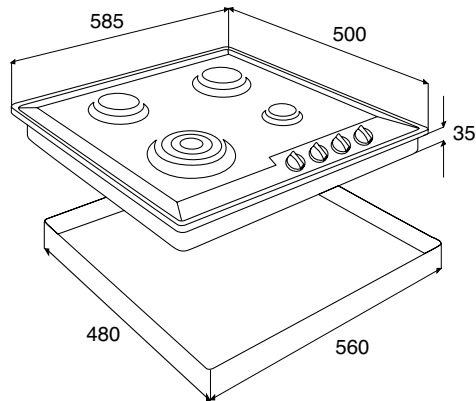
BA75FSS



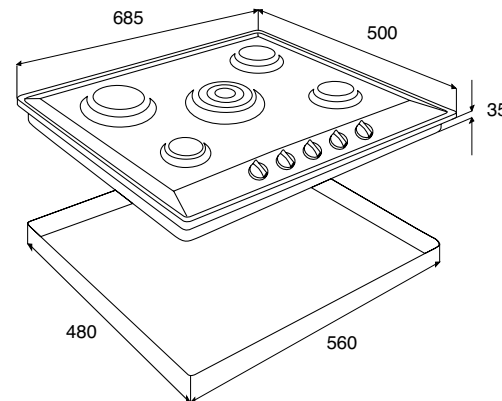
BACG3006



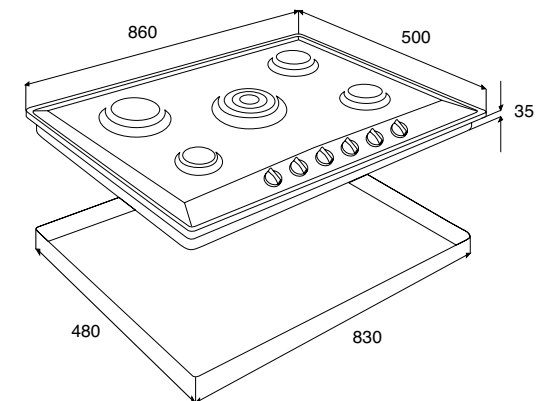
BACG3005



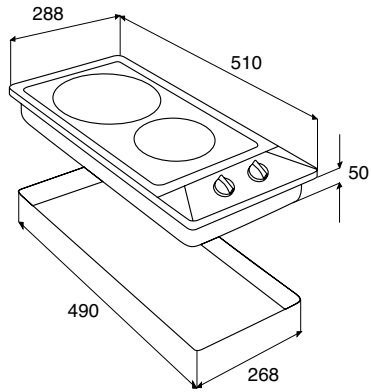
BA62SS



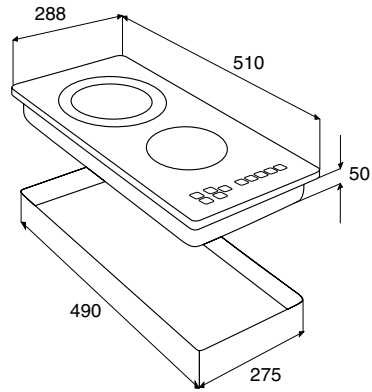
BA72SS



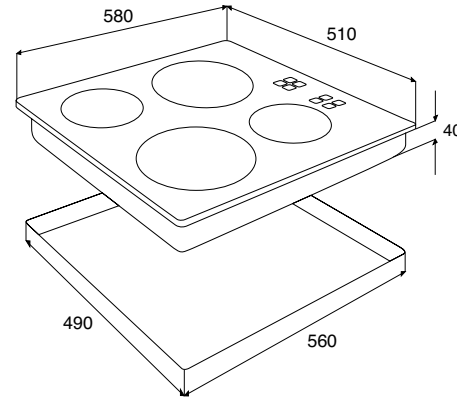
BA92SS



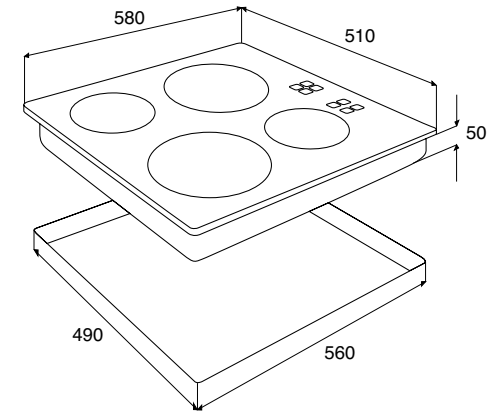
BACE3004



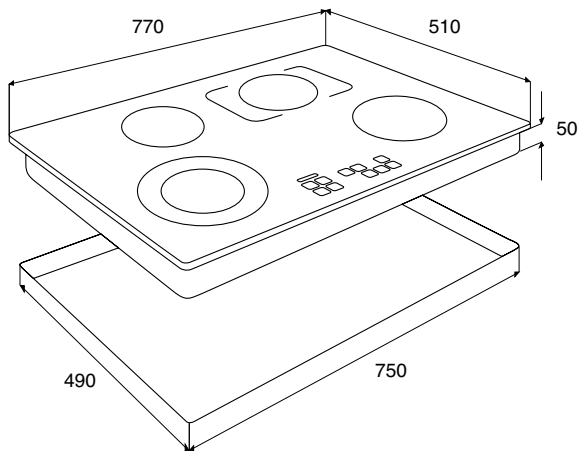
BACE3002 + BACE3003



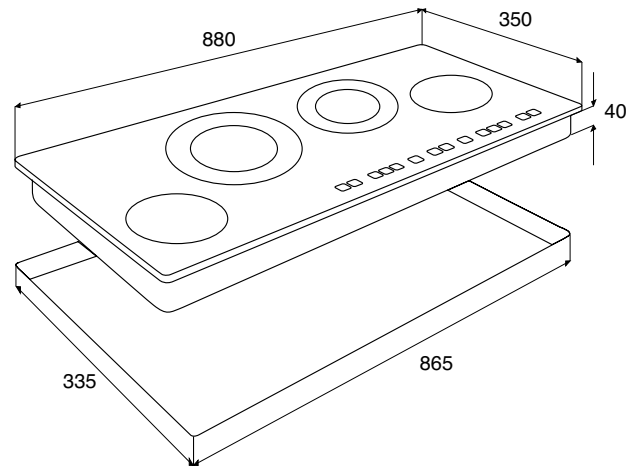
BA10 + BA23SS



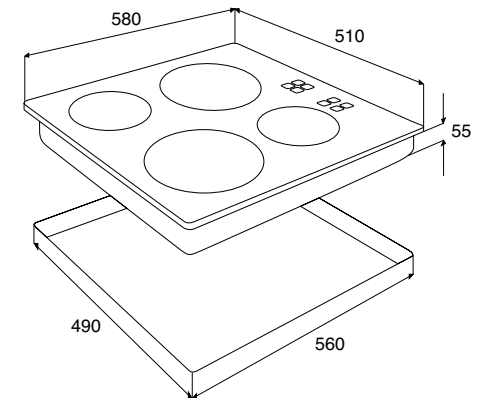
BA13.2 + BA15.2SS



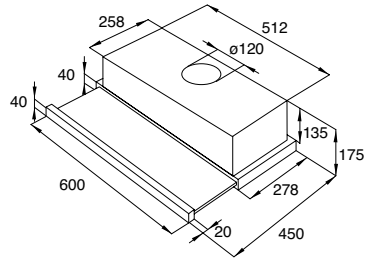
BA16.2SS



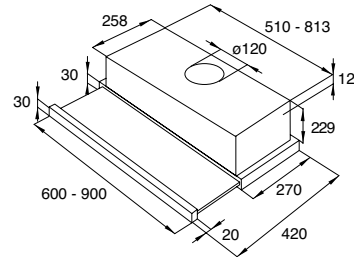
BACE9001



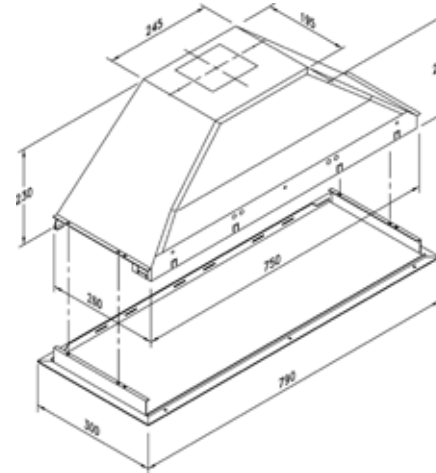
BA24.2SS



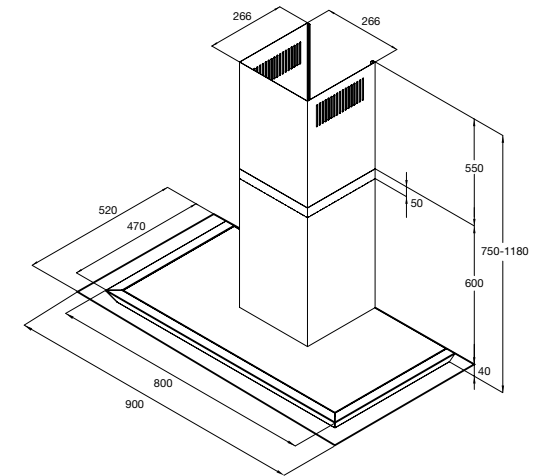
BASR60



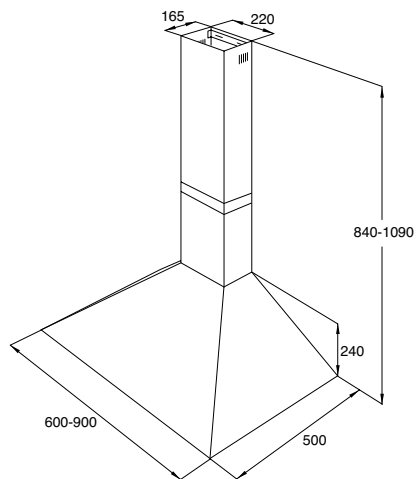
BAS36 + BAS39



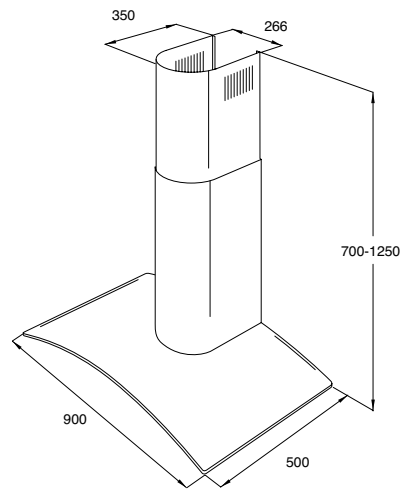
BAH7506



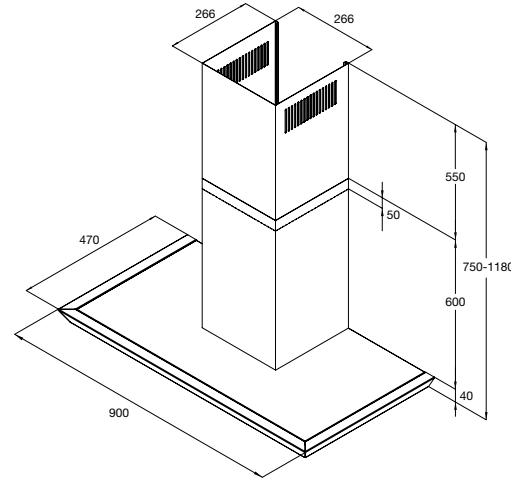
BAH9002G



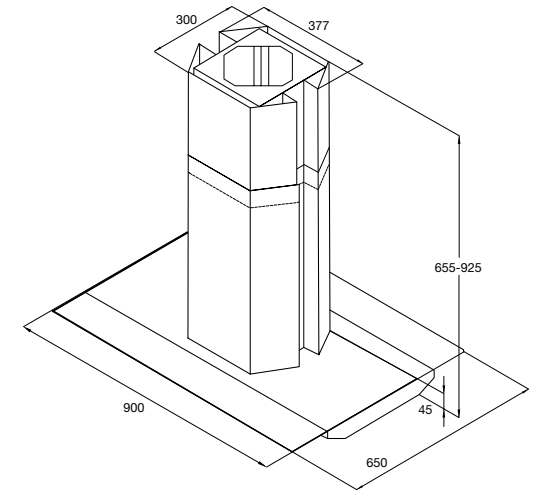
BAH6004 + BAH9005



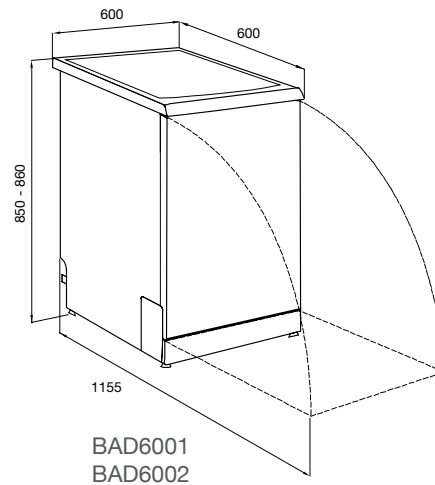
BAH9001



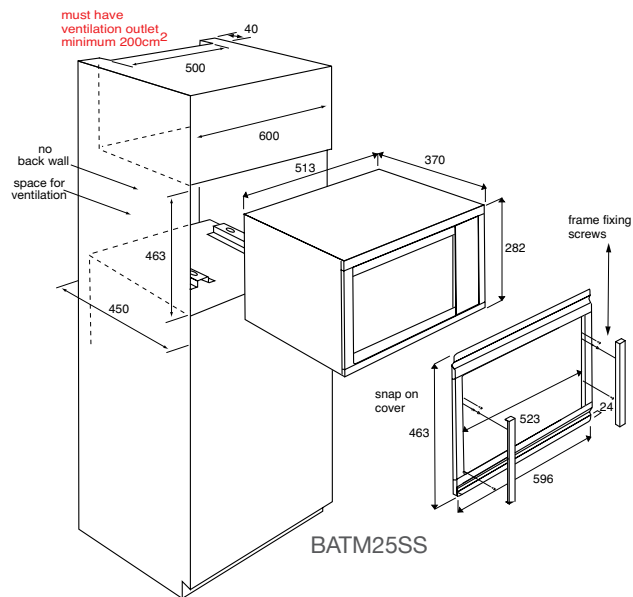
BAH9003G



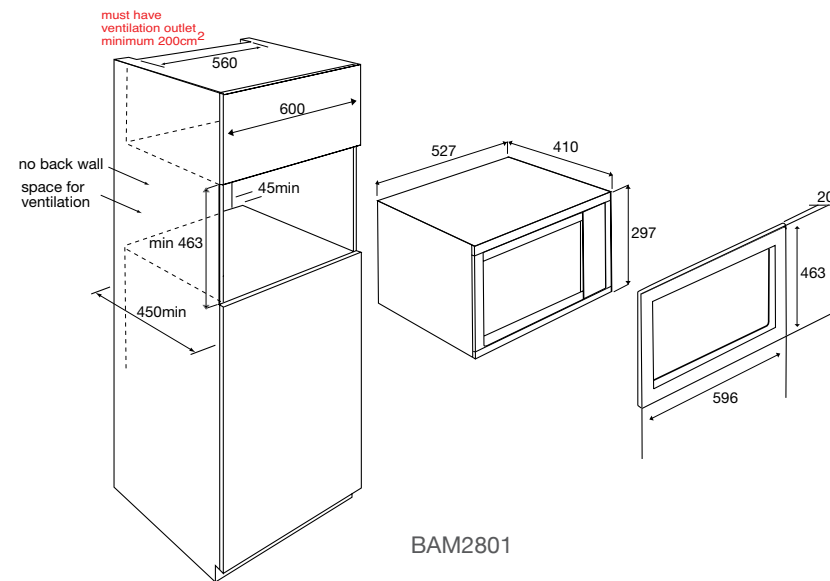
BAH90002G



BAD6001
BAD6002



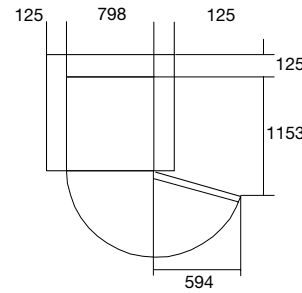
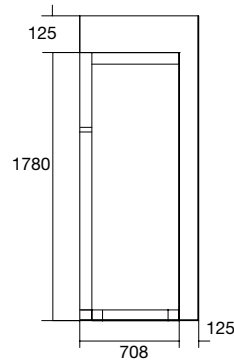
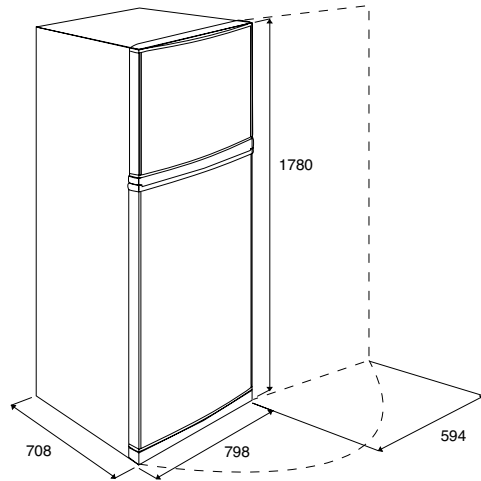
BATM25SS



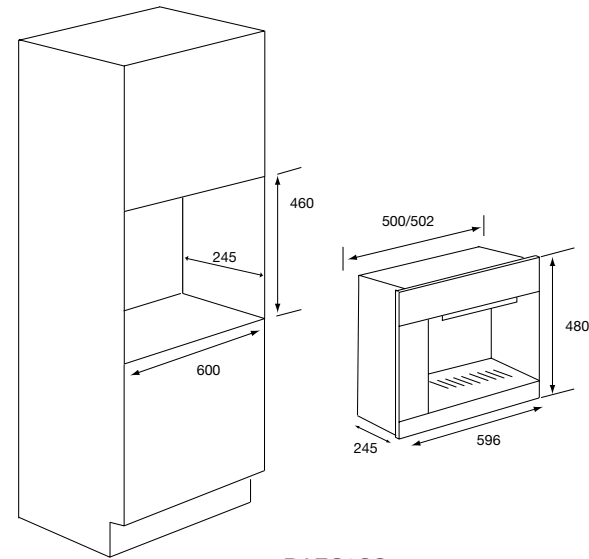
BAM2801

FLUSH MOUNT INSTALLATION REQUIRED WITH TRIM KIT - PLEASE NOTE: CABINETRY DIAGRAMS DEPICT THE KITCHEN CARCASS. IT IS ASSUMED THAT KITCHEN DOORS OR FIXED PANELS WILL BE FITTED OVER THE TOP TO ENABLE A FLUSH MOUNT INSTALLATION.

For full installation requirements, including ventilation for cabinetry, please refer to user and installation manual found with the product or on our website.



BAR57401



BAEC2SS

FLUSH MOUNT INSTALLATION REQUIRED WITH TRIM KIT - PLEASE NOTE: CABINERY DIAGRAMS DEPICT THE KITCHEN CARCASS. IT IS ASSUMED THAT KITCHEN DOORS OR FIXED PANELS WILL BE FITTED OVER THE TOP TO ENABLE A FLUSH MOUNT INSTALLATION.

For full installation requirements, including ventilation for cabinetry, please refer to user and installation manual found with the product or on our website.



Baumatic imported and serviced by Think Appliances
65 Northgate Drive
Thomastown, Victoria
AUSTRALIA 3074

Sales phone 1300 132 824 Service phone 1800 444 357
Sales fax 1300 660 188 Service fax 1300 133 279

Think Appliances operate a policy of continuous improvement and reserve the right to adjust and modify its products and prices without prior notification.

Baumatic are selected by the National Italian Chefs' Team NIC

